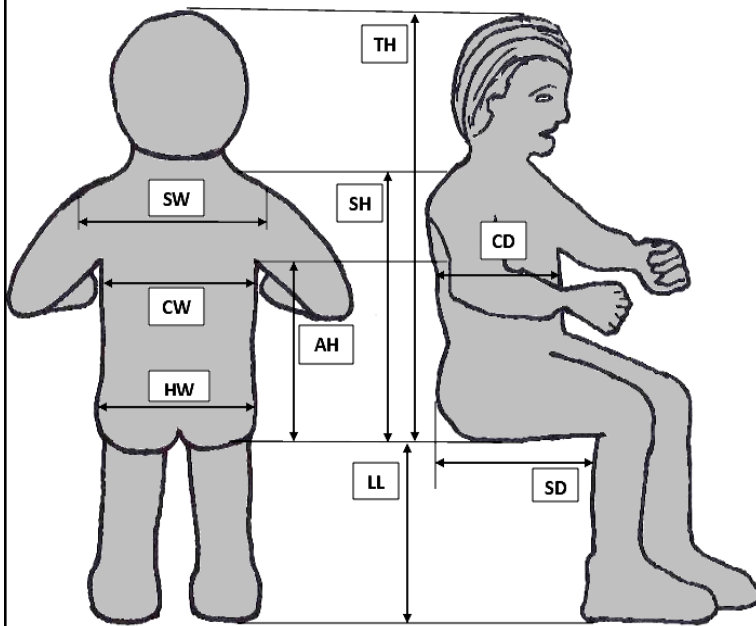


**FITTING / ORDER FORM**
**Information is provided to:**

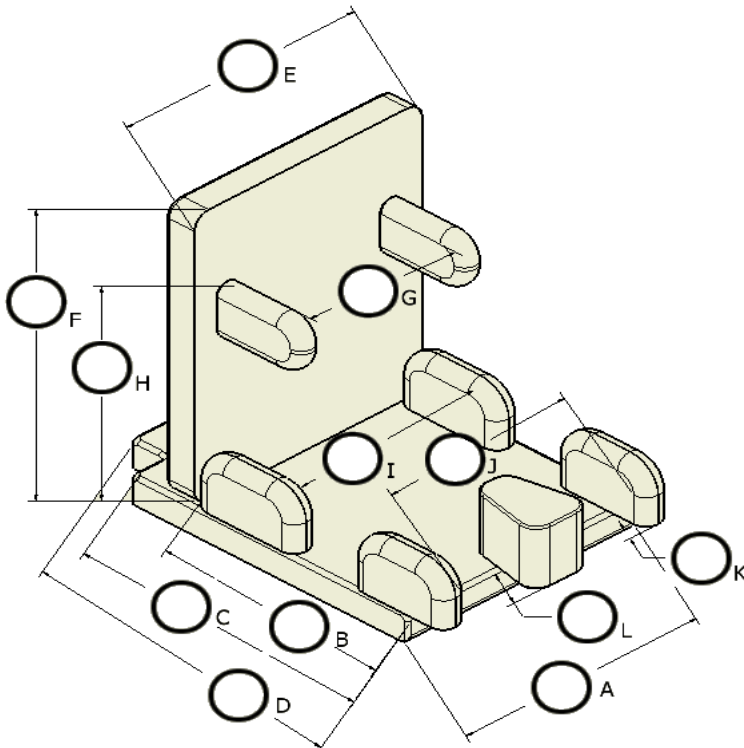
- 
- Quote
- 
- Up-Date Quote Q \_\_\_\_\_
- 
- 
- Order Quote # Q \_\_\_\_\_
- 
- Purchase Order # \_\_\_\_\_
- 
- Ordered By: \_\_\_\_\_

Client's Name (Last, First): \_\_\_\_\_, \_\_\_\_\_ Date: \_\_\_\_\_ Dealer: \_\_\_\_\_  
Sales Person (RTS): \_\_\_\_\_ Phone: \_\_\_\_\_ Fax: \_\_\_\_\_ E-Mail: \_\_\_\_\_  
Inside Contact: \_\_\_\_\_ Phone: \_\_\_\_\_ Fax: \_\_\_\_\_ E-Mail: \_\_\_\_\_  
Mobility Brand: \_\_\_\_\_ Model: \_\_\_\_\_  
Size: \_\_\_\_ (W) x \_\_\_\_ (D)    Tubing Diameter: Seat \_\_\_\_ Back \_\_\_\_ (If Back has double diameter, write both)



- 
- Interim Fit
- 
- One Piece System
- 
- 
- Full Width Mount
- 
- 
- Between Rails Mount
- 
- 
- Seat to Back Angle \_\_\_\_\_

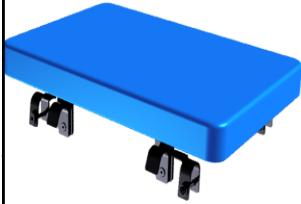
Dimension		Letter	Description
		TH	Seat to Top Of Head
Rt	Lf	SH	Seat to Top of Shoulder
Rt	Lf	AH	Seat to Axila
Rt	Lf	SD	Seat Depth
Rt	Lf	LL	Lower Leg Length
		CD	Chest Depth
		SW	Shoulder Width
		CW	Chest Width
		HW	Hip Width



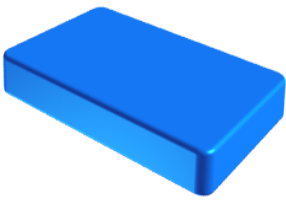
Dimension		Letter	Description
		A	Seat Width
Rt	Lf	B	Seat Depth, Actual
Rt	Lf	C	Seat Depth, Before Tail
Rt	Lf	D	Seat Depth, Overall
		E	Back Width
		F	Back Height
		G	Lateral Trunk Width
		H	Lateral Trunk Height
		I	Lateral Hip/Thigh Width
		J	Lateral Knee Width
		K	Lateral Knee Off Seat
		L	Medial Knee Off Seat

**FITTING / ORDER FORM**
**Bio-ST<sup>®</sup>**  
**Bio-ST-HD<sup>®</sup>**

Client's Name: _____, _____
Date: _____ Dealer: _____
Sales Person (RTS): _____

**Bio ST Seat Inserts**


Includes 2" Med Pkg of Foam, Zippered Blk Neoprene Cover, Std steel angle adjustable hardware

 **SS01**
**Bio ST Seat Cushions**


Includes 2" Med Package of Foam, Zippered Blk Neoprene Cover, 1/4" HDPE plate

 **SSC1P**
**Bio HD Seat Inserts**

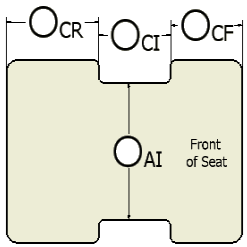

Includes 1/2" HDPE Plate with 2" Med Pkg of Foam, Zippered Blk Neoprene Cover, Std steel angle adjustable hardware

 **HS01**
**Bio ST Seat Interfaces to Accept Cushions**


Includes 1/2" HDPE secured by flush steel mounting hardware

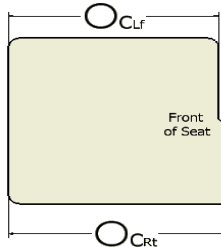
 **S90**


Includes 1/2" HDPE secured by Std steel angle adjustable hardware

 **S91**
**Modifications to the Shape of a Solid Seat Insert or Cushion** A 3.1.3.


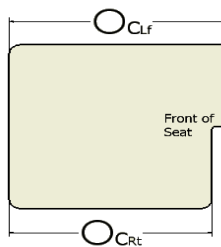
'T' Modification

 **SSI**

 CR: \_\_\_\_\_ CI: \_\_\_\_\_  
 CF: \_\_\_\_\_ AI: \_\_\_\_\_


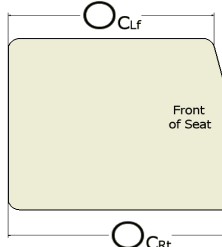
90 Degree Leg Length Discrepancy

 **SSR**

 CLF: \_\_\_\_\_  
 CRF: \_\_\_\_\_


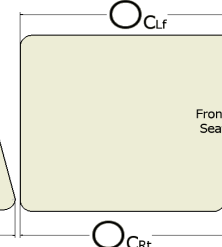
90 Degree Leg Length Discrepancy

 **SSL**

 CLF: \_\_\_\_\_  
 CRF: \_\_\_\_\_


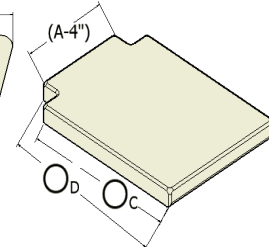
Angled Cut Leg Length Discrepancy

 **SSE**

 CLF: \_\_\_\_\_  
 CRF: \_\_\_\_\_


Angled Cut Leg Length Discrepancy

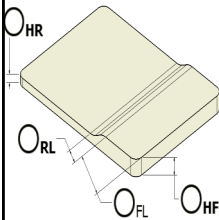
 **SSD**

 CLF: \_\_\_\_\_  
 CRF: \_\_\_\_\_


Notch for Back Canes

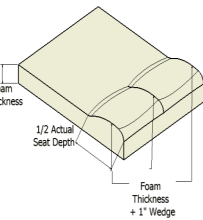
 **SSB**

 C: \_\_\_\_\_  
 D: \_\_\_\_\_

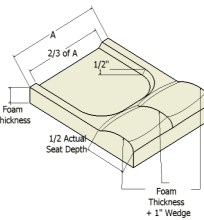
**Modifications to the Contour of a Solid Seat Insert or Cushion** A 3.1.4.


Anti Thrust Construction

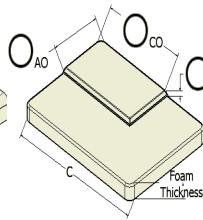
 **SCA**

 HR: \_\_\_\_\_ HF: \_\_\_\_\_  
 FL: \_\_\_\_\_ RL: \_\_\_\_\_


Abductor and Adductor Contour

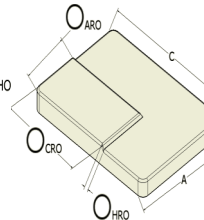
 **SCG**


BioWell: Abductor &amp; Adductor Contour w/ Ischial Recess

 **SCE**


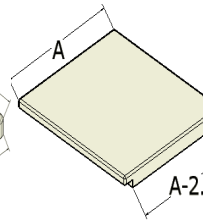
Left Pelvic Obliquity Buildup

 **SCO**

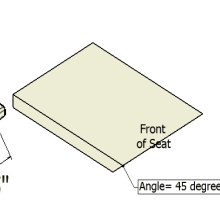
 AO: \_\_\_\_\_ CO: \_\_\_\_\_  
 HO: \_\_\_\_\_


Right Pelvic Obliquity Buildup

 **SCP**

 ARO: \_\_\_\_\_ CRO: \_\_\_\_\_  
 HRO: \_\_\_\_\_


Seat Rail Cutout

 **SCR**


Undercut Front of Seat

 **SCU**
**Seat, Foam Options**

- SRS** Soft Package: 1/2" Soft Sunmate on 1/2" Confor on 1" Soft Sumate
- SRM** Medium Package: 1" Soft Sunmate on 1" Medium Sunmate
- SRF** Firm Package: 1/2" Soft Sunmate on 1.5" Medium Sunmate

- SFA** Build your own. Any 2" Combination of 1/2" of Sunmate - Confor - Volara Foams  
 Top: \_\_\_\_\_ 2nd: \_\_\_\_\_  
 3rd: \_\_\_\_\_ 4th: \_\_\_\_\_
- SFX Custom**
- SFW** Siliconize Foam

Client's Name: _____, _____
Date: _____ Dealer: _____
Sales Person (RTS): _____

**FITTING / ORDER FORM**
**Seat, Cover Options**

C=Contact Surface N=Non Contact Surface

- SCV Removable
- SCY One Extra Cover
- SCY2 Two Extra Covers

- |                          |                          |
|--------------------------|--------------------------|
| <b>C</b>                 | <b>N</b>                 |
| <input type="checkbox"/> | <input type="checkbox"/> |
| <input type="checkbox"/> | <input type="checkbox"/> |
| <input type="checkbox"/> | <input type="checkbox"/> |
| <input type="checkbox"/> | <input type="checkbox"/> |
| <input type="checkbox"/> | <input type="checkbox"/> |

- |                          |                          |
|--------------------------|--------------------------|
| <b>C</b>                 | <b>N</b>                 |
| <input type="checkbox"/> | <input type="checkbox"/> |
| <input type="checkbox"/> | <input type="checkbox"/> |
| <input type="checkbox"/> | <input type="checkbox"/> |
| <input type="checkbox"/> | <input type="checkbox"/> |
| <input type="checkbox"/> | <input type="checkbox"/> |

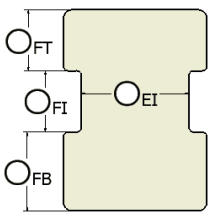
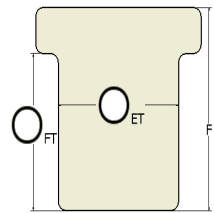
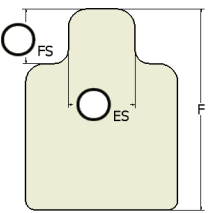
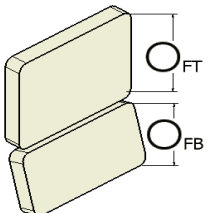
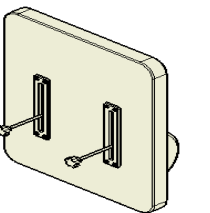
**Seat, Hardware Options**

- |   |  |
|---|--|
| <input type="checkbox"/> MSS (4) J & L w/Horseshoe Clamp                  | <input type="checkbox"/> MSU BioSnap                   |
| <input type="checkbox"/> QRA (4) J & L w/up to (4)Versalock               | <input type="checkbox"/> QRG BioSnap w/Grenade Pin     |
| <input type="checkbox"/> QRB (2) J & L w/Horseshoe Clamp + (2)Quick Clamp | <input type="checkbox"/> QRD Knobs (2) w/ J & L(2)     |
| <input type="checkbox"/> MAB Modify to BioSelect Hinged Seat-Back         | <input type="checkbox"/> MSV Flush mount               |
| <input type="checkbox"/> MCB Modify to BioSelect DERF (Dynamic) Hardware  | <input type="checkbox"/> MSW Flush mount w/Grenade Pin |

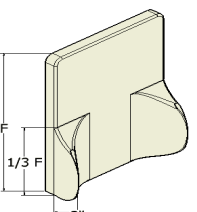
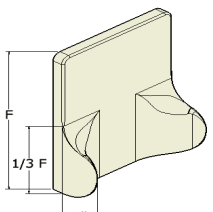
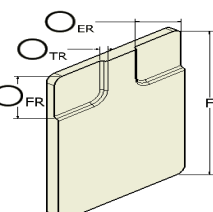
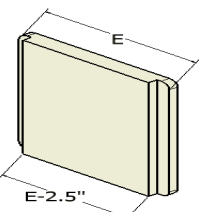
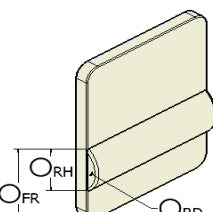
**Bio ST Back Inserts**
**Bio ST-HD Back Inserts**

 <p>Includes 1.5" Med Pkg of Foam, Zippered Blk Neoprene Cover, Std steel angle adjustable hardware</p> <p><input type="checkbox"/> SB01</p>	 <p>Includes Mild 1.5" Contour with 1.5" Med Pkg of Foam, Zippered Blk Neoprene Cover, Std steel angle adjustable hardware</p> <p><input type="checkbox"/> SB02</p>	 <p>Includes Deep 2" Contour with 1.5" Med Pkg of Foam, Zippered Blk Neoprene Cover, Std steel angle adjustable hardware</p> <p><input type="checkbox"/> SB03</p>	 <p>Same as SB01 with a 1/2" External Plate</p> <p><input type="checkbox"/> HB01</p>	 <p>Same as SB02 with a 1/2" External Plate</p> <p><input type="checkbox"/> HB02</p>	 <p>Same as SB03 with a 1/2" External Plate</p> <p><input type="checkbox"/> HB03</p>
--	--	--	---	---	---

**Modifications to the Shape of a Solid Back Insert** A 3.2.3.

 <p>'I' Modification</p> <p><input type="checkbox"/> BSI</p> <p>FT: _____ FB: _____ FI: _____ EI: _____</p>	 <p>'T' Modification</p> <p><input type="checkbox"/> BST</p> <p>FT: _____ ET: _____</p>	 <p>Scapular Cutouts</p> <p><input type="checkbox"/> BSS</p> <p>FS: _____ ES: _____</p>	 <p>Bi-Angular Back</p> <p><input type="checkbox"/> BSH</p> <p>FT: _____ FB: _____</p>	 <p>Ht, Depth &amp; Angle Adj. Lumbar Support</p> <p><input type="checkbox"/> BSL</p>
--	--	--	---	--

**Modifications to the Contour of a Solid Back Insert** A 3.2.4.

 <p>Mild Contour Back, 1/3 Ht of Back</p> <p><input type="checkbox"/> BCQ</p>	 <p>Deep Contour Back, 1/3 Ht of Back</p> <p><input type="checkbox"/> BCR</p>	 <p>Reduce Foam for Scapular Relief</p> <p><input type="checkbox"/> BCS</p> <p>ER: _____ FR: _____ TR: _____</p>	 <p>Cutouts for Back Canes</p> <p><input type="checkbox"/> BCC</p>	 <p>Internal Lumbar Roll</p> <p><input type="checkbox"/> BCL</p> <p>RD: _____ RH: _____ FR: _____</p>
--	--	---	---	--

Client's Name: _____, _____
Date: _____ Dealer: _____
Sales Person (RTS): _____

<p><b>Back, Foam Options</b></p> <p><input type="checkbox"/> <b>BRS</b> Soft Package: 1/2" Soft Sunmate on 1/2" Confor on 1/2" Soft Sunmate</p> <p><input type="checkbox"/> <b>BRM</b> Medium Package: 1" Soft Sunmate on 1/2" Medium Sunmate</p> <p><input type="checkbox"/> <b>BRF</b> Firm Package: 1/2" Soft Sunmate on 1" Medium Sunmate</p>	<p><input type="checkbox"/> <b>BFA</b> Build your own. Any 2" Combination of 1/2" of Sunmate - Confor - Volara Foams Top: _____ 2nd: _____ 3rd: _____</p> <p><input type="checkbox"/> <b>BFX</b> Custom _____</p> <p><input type="checkbox"/> <b>BFW</b> Siliconize Foam</p>
---	--

<p><b>Back, Cover Options</b></p> <p style="text-align: center;">C=Contact Surface N=Non Contact Surface</p>		<p><input type="checkbox"/> <b>Embroidering</b> _____</p> <p><b>Thread Color</b> _____</p> <p><input type="checkbox"/> Block; <input type="checkbox"/> Script</p> <p><b>First Letter:</b></p> <p><input type="checkbox"/> Upper Case; <input type="checkbox"/> Lower Case</p> <p><b>Other Letters:</b></p> <p><input type="checkbox"/> Upper Case; <input type="checkbox"/> Lower Case</p>
<p><input type="checkbox"/> <b>BCV</b> Removable</p> <p><input type="checkbox"/> <b>BCY</b> One Extra Cover</p> <p><input type="checkbox"/> <b>BCY2</b> Two Extra Covers</p>	<p><input type="checkbox"/> <b>C N</b></p> <p><input type="checkbox"/> <input type="checkbox"/> Neoprene Color _____</p> <p><input type="checkbox"/> <input type="checkbox"/> Vinyl Color _____ US- _____</p> <p><input type="checkbox"/> <input type="checkbox"/> <b>BN</b> Ballistic Nylon, Black</p> <p><input type="checkbox"/> <input type="checkbox"/> <b>KN</b> Spacer Mesh, Black</p>	<p><input type="checkbox"/> <b>C N</b></p> <p><input type="checkbox"/> <input type="checkbox"/> <b>DA</b> Darlex, Black</p> <p><input type="checkbox"/> <input type="checkbox"/> <b>CD</b> Dartex, Black</p> <p><input type="checkbox"/> <input type="checkbox"/> <b>RD</b> Reverse Dartex, Black</p> <p><input type="checkbox"/> <input type="checkbox"/> <b>PF</b> Polarflece</p>

<p><b>Back, Hardware Option</b></p>	
<p><input type="checkbox"/> <b>MSS</b> (4) J &amp; L w/Horseshoe Clamp</p> <p><input type="checkbox"/> <b>QRA</b> (4) J &amp; L w/up to (4)Versalock</p> <p><input type="checkbox"/> <b>QRB</b> (2) J &amp; L w/Horseshoe Clamp + (2)Quick Clamp</p> <p><input type="checkbox"/> <b>MAB</b> Modify to BioSelect Hinged Seat-Back (Second at no Charge)</p> <p><input type="checkbox"/> <b>MCB</b> Modify to BioSelect DERF (Dynamic) Hardware</p>	<p><input type="checkbox"/> <b>MSU</b> BioSnap</p> <p><input type="checkbox"/> <b>QRG</b> BioSnap w/Grenade Pin</p> <p><input type="checkbox"/> <b>QRD</b> Knobs (2) w/ J &amp; L(2)</p> <p><input type="checkbox"/> <b>MSV</b> Flush mount</p> <p><input type="checkbox"/> <b>MSW</b> Flush mount w/Grenade Pin</p>

**Positioning Support Pads**

<p><b>Lateral Trunk Pads</b> B 1.1.1</p>	
<p><input type="checkbox"/> <b>BLD</b> Flat, X-Small 3 H x 4 D</p> <p><input type="checkbox"/> <b>BLS</b> Flat, Small 4 H x 4 D</p> <p><input type="checkbox"/> <b>BLM</b> Flat, Medium 4 H x 5 D</p> <p><input type="checkbox"/> <b>BLL</b> Flat, Large 4 H x 6 D</p> <p><input type="checkbox"/> <b>BLO</b> Flat, X-Large 5 H x 6 D</p> <p><input type="checkbox"/> <b>BLX</b> Flat, Custom Specs: _____</p>	<p><input type="checkbox"/> <b>BND</b> Contoured, X-Small 3 H x 4 D</p> <p><input type="checkbox"/> <b>BNS</b> Contoured, Small 4 H x 4 D</p> <p><input type="checkbox"/> <b>BNM</b> Contoured, Medium 4 H x 5 D</p> <p><input type="checkbox"/> <b>BNL</b> Contoured, Large 4 H x 6 D</p> <p><input type="checkbox"/> <b>BNO</b> Contoured, X-Large 5 H x 7 D</p> <p><input type="checkbox"/> <b>BNX</b> Contoured, Custom Specs: _____</p>

<p><b>Lateral Hip/Thigh Pads</b> B 1.1.2</p>	
<p><input type="checkbox"/> <b>BHD</b> Flat fr. Back, X-Small 4 H x 6 D</p> <p><input type="checkbox"/> <b>BHS</b> Flat fr. Back, Small 4 H x 9 D</p> <p><input type="checkbox"/> <b>BHM</b> Flat fr. Back, Medium 4 H x 12 D</p> <p><input type="checkbox"/> <b>BHL</b> Flat fr. Back, Large 4 H x 14 D</p> <p><input type="checkbox"/> <b>BHO</b> Flat fr. Back, X-Large 4 H x 16 D</p> <p><input type="checkbox"/> <b>BHX</b> Flat fr. Back, Custom Specs: _____</p>	<p><input type="checkbox"/> <b>BID</b> Contoured fr. Back, X-Small 4 H x 6 D</p> <p><input type="checkbox"/> <b>BIS</b> Contoured fr. Back, Small 4 H x 9 D</p> <p><input type="checkbox"/> <b>BIM</b> Contoured fr. Back, Medium 4 H x 12 D</p> <p><input type="checkbox"/> <b>BIL</b> Contoured fr. Back, Large 4 H x 14 D</p> <p><input type="checkbox"/> <b>BIO</b> Contoured fr. Back, X-Large 4 H x 16 D</p> <p><input type="checkbox"/> <b>BIX</b> Contoured fr. Back, Custom Specs: _____</p>

<p><b>Lateral Knee Pads</b> B 1.1.3</p>	
<p><input type="checkbox"/> <b>SLD</b> Flat, X-Small 3 H x 4 D</p> <p><input type="checkbox"/> <b>SLS</b> Flat, Small 4 H x 4 D</p> <p><input type="checkbox"/> <b>SLM</b> Flat, Medium 4 H x 5 D</p> <p><input type="checkbox"/> <b>SLL</b> Flat, Large 4 H x 6 D</p> <p><input type="checkbox"/> <b>SLO</b> Flat, X-Large 5 H x 6 D</p> <p><input type="checkbox"/> <b>SLX</b> Flat, Custom Specs: _____</p>	<p><input type="checkbox"/> <b>SND</b> L-Shaped, X-Small 3 H x 4 D</p> <p><input type="checkbox"/> <b>SNS</b> L-Shaped, Small 4 H x 4 D</p> <p><input type="checkbox"/> <b>SNM</b> L-Shaped, Medium 4 H x 5 D</p> <p><input type="checkbox"/> <b>SNL</b> L-Shaped, Large 4 H x 6 D</p> <p><input type="checkbox"/> <b>SNO</b> L-Shaped, X-Large 5 H x 7 D</p> <p><input type="checkbox"/> <b>SNX</b> L-Shaped, Custom Specs: _____</p>

<p><input type="checkbox"/> <b>SHD</b> Flat fr. Seat, X-Small 4 H x 6 D</p> <p><input type="checkbox"/> <b>SHS</b> Flat fr. Seat, Small 4 H x 9 D</p> <p><input type="checkbox"/> <b>SHM</b> Flat fr. Seat, Medium 4 H x 12 D</p> <p><input type="checkbox"/> <b>SHL</b> Flat fr. Seat, Large 4 H x 14 D</p> <p><input type="checkbox"/> <b>SHO</b> Flat fr. Seat, X-Large 4 H x 16 D</p> <p><input type="checkbox"/> <b>SHJ</b> Flat fr. Seat, XX-Large 5 H x 16 D</p> <p><input type="checkbox"/> <b>SHX</b> Flat fr. Seat, Custom Specs: _____</p>	<p><input type="checkbox"/> <b>SID</b> Contoured fr. Seat, X-Small 4 H x 6 D</p> <p><input type="checkbox"/> <b>SIS</b> Contoured fr. Seat, Small 4 H x 9 D</p> <p><input type="checkbox"/> <b>SIM</b> Contoured fr. Seat, Medium 4 H x 12 D</p> <p><input type="checkbox"/> <b>SIL</b> Contoured fr. Seat, Large 4 H x 14 D</p> <p><input type="checkbox"/> <b>SIO</b> Contoured fr. Seat, X-Large 4 H x 16 D</p> <p><input type="checkbox"/> <b>SIJ</b> Contoured fr. Seat, XX-Large 5 H x 16 D</p> <p><input type="checkbox"/> <b>SIX</b> Contoured fr. Seat, Custom Specs: _____</p>
---	--

Client's Name: _____, _____
Date: _____ Dealer: _____
Sales Person (RTS): _____

**FITTING / ORDER FORM**
**Lateral Pads Mounting Hardware (Pre-Config) B 1.2.2**

Lats	Hips	L-Knee		
<input type="checkbox"/>	<input type="checkbox"/>	<input type="checkbox"/>	<b>LBB</b>	Straight Bracket (90 deg. spring steel)
<input type="checkbox"/>	<input type="checkbox"/>	<input type="checkbox"/>	<b>LBK</b>	Straight Bracket w/Single Knob
<input type="checkbox"/>	<input type="checkbox"/>	<input type="checkbox"/>	<b>LSB</b>	Swing Away Bracket
<input type="checkbox"/>	<input type="checkbox"/>	<input type="checkbox"/>	<b>LSW</b>	Swing Away w/Winter-Summer
<input type="checkbox"/>	<input type="checkbox"/>	<input type="checkbox"/>	<b>LSK</b>	Swing Away w/Single Knob
<input type="checkbox"/>	<input type="checkbox"/>	<input type="checkbox"/>	<b>LOF</b>	Removable Bracket (90 deg.)
<input type="checkbox"/>	<input type="checkbox"/>	<input type="checkbox"/>	<b>LWB</b>	Winter-Summer w/Straight Bracket (90 deg.)

Lats	Hips	L-Knee		
<input type="checkbox"/>	<input type="checkbox"/>	<input type="checkbox"/>	<b>LOB</b>	Offset Bracket (Adj. .75" to 3")
<input type="checkbox"/>	<input type="checkbox"/>	<input type="checkbox"/>	<b>LOK</b>	Offset Bracket w/Single Knob
<input type="checkbox"/>	<input type="checkbox"/>	<input type="checkbox"/>	<b>LOS</b>	Offset Swing Away Bracket
<input type="checkbox"/>	<input type="checkbox"/>	<input type="checkbox"/>	<b>LOR</b>	Offset Swing Away w/Wint-Summer
<input type="checkbox"/>	<input type="checkbox"/>	<input type="checkbox"/>	<b>LOT</b>	Offset Swing Away w/Single Knob
<input type="checkbox"/>	<input type="checkbox"/>	<input type="checkbox"/>	<b>LOW</b>	Offset Winter-Summer
<input type="checkbox"/>	<input type="checkbox"/>	<input type="checkbox"/>	<b>LOX</b>	Custom Mounting Hardware

 Specs: 
**Medial Knee Pads B 1.1.4**

<input type="checkbox"/>	<b>SMD</b>	Wedge, X-Small	1.5 WR	3 WF	4 D	3 H		
<input type="checkbox"/>	<b>SMS</b>	Wedge, Small	2 WR	4 WF	4 D	3 H		
<input type="checkbox"/>	<b>SMM</b>	Wedge, Medium	2 WR	4 WF	5 D	4 H		
<input type="checkbox"/>	<b>SML</b>	Wedge, Large	3 WR	5 WF	6 D	4 H		
<input type="checkbox"/>	<b>SMO</b>	Wedge, X-Large	4 WR	6 WF	6 D	4 H		
<input type="checkbox"/>	<b>SMX</b>	Wedge, Custom	Specs <input type="text"/>					
<input type="checkbox"/>	<b>SPD</b>	L-Wedge, X-Small	1.5WR	3 WF	4 D	3 HR	5 HF	
<input type="checkbox"/>	<b>SPS</b>	L-Wedge, Small	2 WR	4 WF	4 D	3 HR	5 HF	
<input type="checkbox"/>	<b>SPM</b>	L-Wedge, Medium	2 WR	4 WF	5 D	4 HR	6 HF	
<input type="checkbox"/>	<b>SPL</b>	L-Wedge, Large	3 WR	5 WF	6 D	4 HR	6 HF	
<input type="checkbox"/>	<b>SPO</b>	L-Wedge, X-Large	4 WR	6 WF	6 D	4 HR	6 HF	
<input type="checkbox"/>	<b>SPX</b>	L-Wedge, Custom	Specs <input type="text"/>					

<input type="checkbox"/>	<b>SQD</b>	Oval, X-Small	2 W	4 D	3 H		
<input type="checkbox"/>	<b>SQS</b>	Oval, Small	3 W	4 D	3 H		
<input type="checkbox"/>	<b>SQM</b>	Oval, Medium	3 W	5 D	4 H		
<input type="checkbox"/>	<b>SQL</b>	Oval, Large	4 W	6 D	4 H		
<input type="checkbox"/>	<b>SQO</b>	Oval, X-Large	5 W	7 D	5 H		
<input type="checkbox"/>	<b>SQX</b>	Oval, Custom	Specs <input type="text"/>				
<input type="checkbox"/>	<b>SUD</b>	L-Oval, X-Small	2 W	4 D	3 HR	5 HF	
<input type="checkbox"/>	<b>SUS</b>	L-Oval, Small	3 W	4 D	3 HR	5 HF	
<input type="checkbox"/>	<b>SUM</b>	L-Oval, Medium	3 W	5 D	4 HR	6 HF	
<input type="checkbox"/>	<b>SUL</b>	L-Oval, Large	4 W	6 D	4 HR	6 HF	
<input type="checkbox"/>	<b>SUO</b>	L-Oval, X-Large	5 W	7 D	5 HR	7 HF	
<input type="checkbox"/>	<b>SUX</b>	L-Oval, Custom	Specs <input type="text"/>				

**Medial Knee Mounting Hardware (Pre-Config) B 1.2.2.4**

- |   |  |
|---|--|
| <input type="checkbox"/> <b>AWF</b> FlipDown Hardware for Medial Knee | <input type="checkbox"/> <b>AWR</b> Removable Hardware for Medial Knee       |
|   | <input type="checkbox"/> <b>AWB</b> FlipDown & Rem. Hardware for medial Knee |

**Miscellaneous:**
**BioForm Std. Anterior Trunk Support (Black)**

	XXS	XS	S	M	L	XL
Neoprene	<input type="checkbox"/> NRT	<input type="checkbox"/> NRD	<input type="checkbox"/> NRS	<input type="checkbox"/> NRM	<input type="checkbox"/> NRL	<input type="checkbox"/> NRO
Neoprene Snap	<input type="checkbox"/> NST	<input type="checkbox"/> NSD	<input type="checkbox"/> NSS	<input type="checkbox"/> NSM	<input type="checkbox"/> NSL	<input type="checkbox"/> NSO
Neoprene H-Harness			<input type="checkbox"/> NHS	<input type="checkbox"/> NHM	<input type="checkbox"/> NHL	
Neoprene 6-Points	<input type="checkbox"/> NMT	<input type="checkbox"/> NMD	<input type="checkbox"/> NMS	<input type="checkbox"/> NMM	<input type="checkbox"/> NML	<input type="checkbox"/> NMO
Reverse Dartex	<input type="checkbox"/> DRT	<input type="checkbox"/> DRD	<input type="checkbox"/> DRS	<input type="checkbox"/> DRM	<input type="checkbox"/> DRL	<input type="checkbox"/> DRO
Rev-Dartex Snap	<input type="checkbox"/> DST	<input type="checkbox"/> DSD	<input type="checkbox"/> DSS	<input type="checkbox"/> DSM	<input type="checkbox"/> DSL	<input type="checkbox"/> DSO
Rev-Dartex H-Harness			<input type="checkbox"/> DHS	<input type="checkbox"/> DHM	<input type="checkbox"/> DHL	
Rev-Dartex 6-Points	<input type="checkbox"/> DMT	<input type="checkbox"/> DMD	<input type="checkbox"/> DMS	<input type="checkbox"/> DMM	<input type="checkbox"/> DML	<input type="checkbox"/> DMO
Vinyl	<input type="checkbox"/> VRT	<input type="checkbox"/> VRD	<input type="checkbox"/> VRS	<input type="checkbox"/> VRM	<input type="checkbox"/> VRL	<input type="checkbox"/> VRO
Vinyl Snap	<input type="checkbox"/> VST	<input type="checkbox"/> VSD	<input type="checkbox"/> VSS	<input type="checkbox"/> VSM	<input type="checkbox"/> VSL	<input type="checkbox"/> VSO
Vinyl H-Harness			<input type="checkbox"/> VHS	<input type="checkbox"/> VHM	<input type="checkbox"/> VHL	
Vinyl 6-Points	<input type="checkbox"/> VMT	<input type="checkbox"/> VMD	<input type="checkbox"/> VMS	<input type="checkbox"/> VMM	<input type="checkbox"/> VML	<input type="checkbox"/> VMO
Ballistic Nylon	<input type="checkbox"/> VNT	<input type="checkbox"/> VND	<input type="checkbox"/> VNS	<input type="checkbox"/> VNM	<input type="checkbox"/> VNL	<input type="checkbox"/> VNO
Ballistic Nylon-Snap	<input type="checkbox"/> VQT	<input type="checkbox"/> VQD	<input type="checkbox"/> VQS	<input type="checkbox"/> VQM	<input type="checkbox"/> VQL	<input type="checkbox"/> VQO
Ballistic Nylon H-Harness			<input type="checkbox"/> VPS	<input type="checkbox"/> VPM	<input type="checkbox"/> VPL	
Ballistic Nylon 6-Points	<input type="checkbox"/> VOT	<input type="checkbox"/> VOD	<input type="checkbox"/> VOS	<input type="checkbox"/> VOM	<input type="checkbox"/> VOL	<input type="checkbox"/> VOO

**BioForm Low-Profile Anterior Trunk Support**

	XS	S	M	L
Neoprene	<input type="checkbox"/> NLD	<input type="checkbox"/> NLS	<input type="checkbox"/> NLM	<input type="checkbox"/> NLL
Reverse Dartex	<input type="checkbox"/> DLD	<input type="checkbox"/> DLS	<input type="checkbox"/> DLM	<input type="checkbox"/> DLL
Vinyl	<input type="checkbox"/> VLD	<input type="checkbox"/> VLS	<input type="checkbox"/> VLM	<input type="checkbox"/> VLL

 Vinyl color other than Black: \_\_\_\_\_  
 Neoprene color other than Black: \_\_\_\_\_

**Headrest Packages**

- HWSIC** BioCurve **Small** Pad w/removable Height, Depth & angle adj. Hardware
- HWMIC** BioCurve **Medium** Pad w/removable Height, Depth-angle adj. Hardware
- HWLIC** BioCurve **Large** Pad w/removable Height, Depth & angle adj. Hardware
- HUSIC** BioCurve Adjusta Headrest, **Small** three sections Low Profile Pad with Removable Height, Depth & Angle Adjustable Hardware
- HUMIC** BioCurve Adjusta Headrest, **Medium** three sections Low Profile Pad with Removable Height, Depth & Angle Adjustable Hardware
- HULIC** BioCurve Adjusta Headrest, **Large** three sections Low Profile Pad with Removable Height, Depth & Angle Adjustable Hardware
- HYSIC** BioCurve Adjusta Headrest, **Small** three sections Std. Pad with Removable Height, Depth & Angle Adjustable Hardware
- HYMIC** BioCurve Adjusta Headrest, **Medium** three sections Std. Pad with Removable Height, Depth & Angle Adjustable Hardware
- HYLIC** BioCurve Adjusta Headrest, **Large** three sections Std. Pad with Removable Height, Depth & Angle Adjustable Hardware

**Ankle or Toe Straps**

- MDS** BioForm, D-ring Velcro 1"Strap, S
- MDM** BioForm, D-ring Velcro 1"Strap, M
- MDL** BioForm, D-ring Velcro 1"Strap, L
- MFS** BioForm, Fastex Buckle 1"Strap, S
- MFM** BioForm, Fastex Buckle 1"Strap, M
- MFL** BioForm, Fastex Buckle 1"Strap, L

**Scuba Heel Loops**

- LCS** BioForm Scuba Heel Loops, S
- LCM** BioForm Scuba Heel Loops, M
- LCL** BioForm Scuba Heel Loops, L



## FITTING / ORDER FORM

**Bio-ST<sup>®</sup>**  
**Bio-ST-HD<sup>®</sup>**

Client's Name: \_\_\_\_\_, \_\_\_\_\_  
Date: \_\_\_\_\_ Dealer: \_\_\_\_\_  
Sales Person (RTS): \_\_\_\_\_

NOTES (Special Request):